

B08-ECH12-AR4

03/23/15

B08-ECH12-ARC

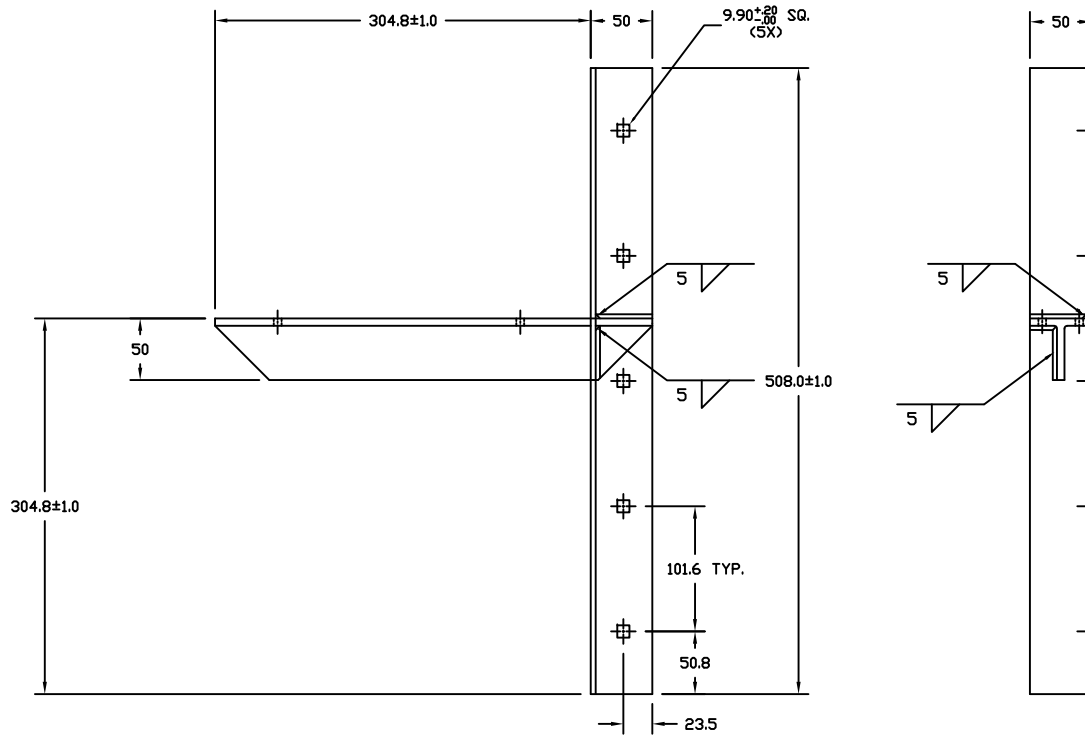
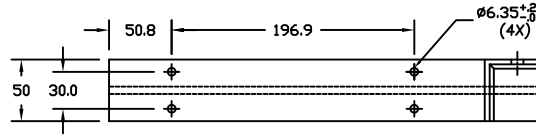
03/23/15


REVISION NOTICE:

REV	DESCRIPTION	BY	DATE	CHK	DATE

NOTES:

- 1) NO BURRS ALLOWED.
- 2) BRACKETS ARE TO BE PACKAGED AS FOLLOWS:
THE (3) ENDS OF EACH BRACKET ARE TO BE PROTECTED WITH A CARBOARD SLEEVE BEFORE PACKING IN A POLYBAG AND CARTON .
- 3) POLYBAGGED SCREW PACKS:
(2) POLYBAGGED SCREW PACKS PER CARTON
EACH POLYBAGGED SCREW PACK CONTAINS:
(5) 3/8" X 4" GRADE 5 SHORT NECK CARRIAGE BOLTS, ZINC PLATED
(5) 3/8" HEX NUTS, GRADE 5, ZINC PLATED
(5) 3/8" FLAT WASHERS, ZINC PLATED
(5) 3/8" LOCK WASHERS, ZINC PLATED
- 4) CARTONS TO BE MARKED WITH APPROPRIATE PART NUMBER, COLOR, QTY, AND DESCRIPTION AS FOLLOWS:
PART NUMBER: EC1/4-12 ALMOND
QUANTITY: 2
DESCRIPTION: EXT CONCLD BRKT, 12", 1/4" STL TEE MADE IN CHINA
OR
PART NUMBER: EC1/4-12 BLACK
QUANTITY: 2
DESCRIPTION: EXT CONCLD BRKT, 12", 1/4" STL TEE MADE IN CHINA
OR
PART NUMBER: EC1/4-12 GRAY
QUANTITY: 2
DESCRIPTION: EXT CONCLD BRKT, 12", 1/4" STL TEE MADE IN CHINA
OR
PART NUMBER: EC1/4-12 WHITE
QUANTITY: 2
DESCRIPTION: EXT CONCLD BRKT, 12", 1/4" STL TEE MADE IN CHINA
- 5) (120) CARTONS, (240) PIECES/PALLET. CARTON SIZE AND PALLET SIZE TO BE DETERMINED BY SUPPLIER.
- 6) PART NUMBER B08-ECH12-AR4 FOR CONTAINERS OR PALLETS SHIPPED TO AND WAREHOUSED AT RPC. PART NUMBER B08-ECH12-ARC FOR CONTAINERS OR PALLETS DROP SHIPPED TO A DESIGNATED CUSTOMER LOCATION. IRREGARDLESS OF THE PART NUMBER USED; THE DESTINATION WILL BE CONTROLLED BY THE RPC P.O. AND/OR RPC BUYER.



PIN MAT'L:	N/A	STRIP WIDTH:	N/A	INITIAL	DATE	CUST:	 ROCKFORD PROCESS CONTROL, INC. 2020 7TH STREET ROCKFORD, IL. PH: (815) 966-2000; WWW.ROCKFORDPROCESS.COM
PIN DIA:	N/A	HOLE DIA:	N/A	DRN:	CWW 03/23/15	CUST P.N.:	
LEAF MAT'L:	N/A	KNUCKLE:	N/A	CHK:		SCALE: FULL UNITS: MM	
LEAF THK:	N/A	DIE SEC:	N/A	UNSPECIFIED TOLERANCES		REF: B08ECH12APP	
CONFIDENTIAL PROPRIETARY INFORMATION				ANGLE ±2°		MATERIAL: UNSPEC'D HR STL, "L" 50X50X4, "T" 50X50X6	DESCRIPTION: EXT CNCLD BRKT, 12" APPLICATION DWG
This drawing is the property of ROCKFORD PROCESS CONTROL, INC. and is loaned only upon the condition that it is not to be copied or reproduced nor to be used for furnishing information to others for any purpose detrimental to the interest of ROCKFORD PROCESS CONTROL, INC..				DECIMAL	INCH	MM	PART NO.: B08-ECH12-AR4
				X.		±1.0	SHEET 1 OF 1
				.X		±.5	REV. D
				.XX		±.3	
				.XXX		±.1	
				FINISH: AS REQUIRED			