

B08-0CH09-AR4

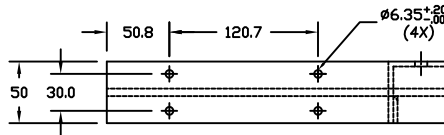
03/23/15

B08-0CH09-ARC

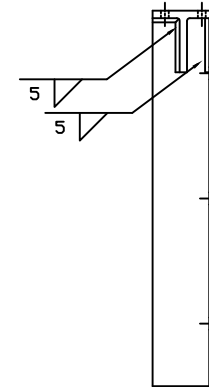
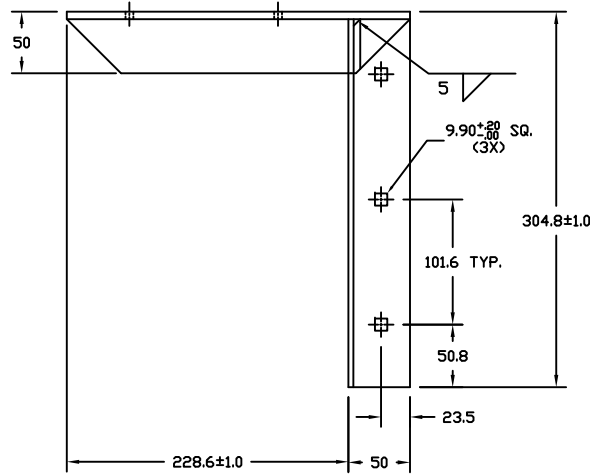
03/23/15

NOTES:

- 1) NO BURRS ALLOWED.
- 2) BRACKETS ARE TO BE PACKAGED AS FOLLOWS:
THE (3) ENDS OF EACH BRACKET ARE TO BE PROTECTED WITH A CARBOARD SLEEVE BEFORE PACKING IN A POLYBAG AND CARTON .
- 3) POLYBAGGED SCREW PACKS:
(2) POLYBAGGED SCREW PACKS PER CARTON
EACH POLYBAGGED SCREW PACK CONTAINS:
(3) 3/8" X 4" GRADE 5 SHORT NECK CARRIAGE BOLTS, ZINC PLATED
(3) 3/8" HEX NUTS, GRADE 5, ZINC PLATED
(3) 3/8" FLAT WASHERS, ZINC PLATED
(3) 3/8" LOCK WASHERS, ZINC PLATED
- 4) CARTONS TO BE MARKED WITH APPROPRIATE PART NUMBER, COLOR, QTY, AND DESCRIPTION AS FOLLOWS:



- PART NUMBER: C1/4-9 ALMOND
QUANTITY: 2
DESCRIPTION: CONCEALED BRKT, 9", 1/4" STL TEE
MADE IN CHINA
OR
- PART NUMBER: C1/4-9 BLACK
QUANTITY: 2
DESCRIPTION: CONCEALED BRKT, 9", 1/4" STL TEE
MADE IN CHINA
OR
- PART NUMBER: C1/4-9 GRAY
QUANTITY: 2
DESCRIPTION: CONCEALED BRKT, 9", 1/4" STL TEE
MADE IN CHINA
OR
- PART NUMBER: C1/4-9 WHITE
QUANTITY: 2
DESCRIPTION: CONCEALED BRKT, 9", 1/4" STL TEE
MADE IN CHINA



5) (120) CARTONS, (240) PIECES/PALLET. CARTON SIZE AND PALLET SIZE TO BE DETERMINED BY SUPPLIER.

6) PART NUMBER B08-0CH09-AR4 FOR CONTAINERS OR PALLETS SHIPPED TO AND WAREHOUSED AT RPC. PART NUMBER B08-0CH09-ARC FOR CONTAINERS OR PALLETS DROP SHIPPED TO A DESIGNATED CUSTOMER LOCATION. IRREGARDLESS OF THE PART NUMBER USED; THE DESTINATION WILL BE CONTROLLED BY THE RPC P.O. AND/OR RPC BUYER.

PIN MAT'L:	N/A	STRIP WIDTH:	N/A
PIN DIA:	N/A	HOLE DIA:	N/A
LEAF MAT'L:	N/A	KNUCKLE:	N/A
LEAF THK:	N/A	DIE SEC:	N/A

INITIAL	DATE
DRN: CWW	03/23/15
CHK:	
UNSPECIFIED TOLERANCES	
ANGLE ±2°	

CUST:	
CUST P.N.:	
SCALE:	FULL
UNITS:	MM
REF:	B080CH09APP
UNSPEC'D MATERIAL:	HR STL, "L" 50X50X4, "T" 50X50X6
UNSPEC'D FINISH:	AS REQUIRED

RPC ROCKFORD PROCESS CONTROL, INC.
2020 7TH STREET ROCKFORD, IL.
PH: (815) 966-2000; WWW.ROCKFORDPROCESS.COM

CONFIDENTIAL PROPRIETARY INFORMATION
This drawing is the property of ROCKFORD PROCESS CONTROL, INC. and is loaned only upon the condition that it is not to be copied or reproduced nor to be used for furnishing information to others for any purpose detrimental to the interest of ROCKFORD PROCESS CONTROL, INC..

DECIMAL	INCH	MM
X.		±1.0
.X		±.5
.XX		±.3
.XXX		±.1

DESCRIPTION:	CNCLD BRKT, 9", APPLICATION DWG
PART NO.:	B08-0CH09-AR4 B08-0CH09-ARC

SHEET	REV.
1 OF 1	-