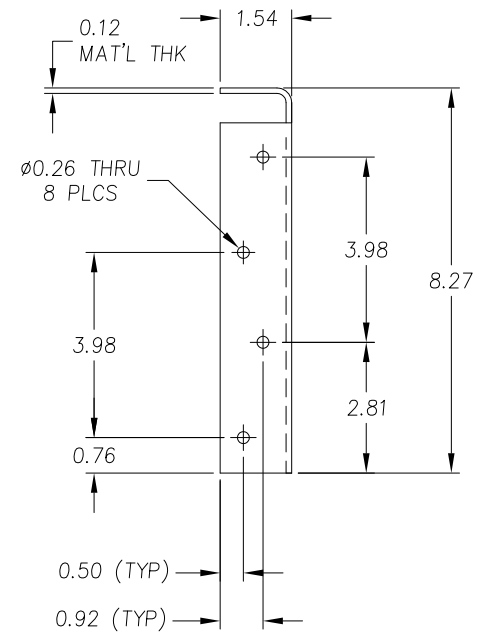



LEFT HAND BRACKET SHOWN



CONFIDENTIAL PROPRIETARY INFORMATION
 This drawing is the property of ROCKFORD PROCESS CONTROL, INC. and is loaned only upon the condition that it is not to be copied or reproduced nor to be used for furnishing information to others for any purpose detrimental to the interest of ROCKFORD PROCESS CONTROL, INC..

APPLICATION DRAWING	
INITIAL: CWW	DATE: 02/19/14
SCALE: 4/1	UNITS: IN
REF: B0808121APP	
UNSPEC'D MATERIAL:	.12" THICK STEEL
UNSPEC'D FINISH:	AS REQUIRED

 ROCKFORD PROCESS CONTROL, INC. 2020 7TH STREET ROCKFORD, IL. PH: (815) 966-2000; WWW.ROCKFORDPROCESS.COM	
DESCRIPTION: BRACKET LEFT & RIGHT, 8" X 12"	
PART NO.:	B08-08121-APP
SHEET	REV.
1 OF 1	-