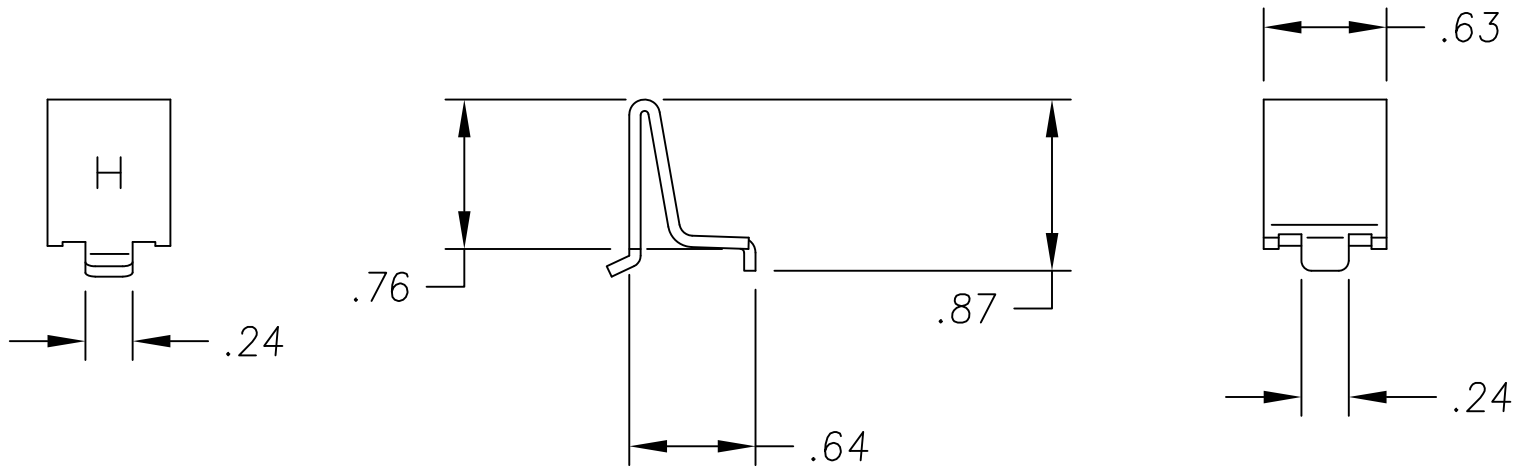


PART NUMBER	REV.
B01-CLPXX-APP	

P/N	PACKAGING
B01-CLP11-174	100/BOX
B01-CLP12-174	1000/BOX
B01-CLP13-174	9000/TUB



APPLICATION DRAWING

CUSTOMER P/N (IF APPLICABLE)	REV.
------------------------------	------

THIS PRINT IS THE PROPERTY OF RPC AND ITS DUPLICATION, RETENTION OR TRANSMITTAL TO OTHERS IS PROHIBITED WITHOUT PRIOR CONSENT.



Rockford Process Control, Inc.

ECR#	REV.	DESCRIPTION	BY	DATE

MATERIAL 16GA [.060] STEEL ZINC PLATED	
FILENAME B01CLPXXAPP	CHKD BY DATE
DRAWN BY CWW	DATE 9/5/12

SCALE (SIZE) 1:1	SHT NO. 1	OF 1
PART DESCRIPTION SHELF SUPPORT FOR PILASTER STD		
PART NUMBER B01-CLPXX-APP	REV.	