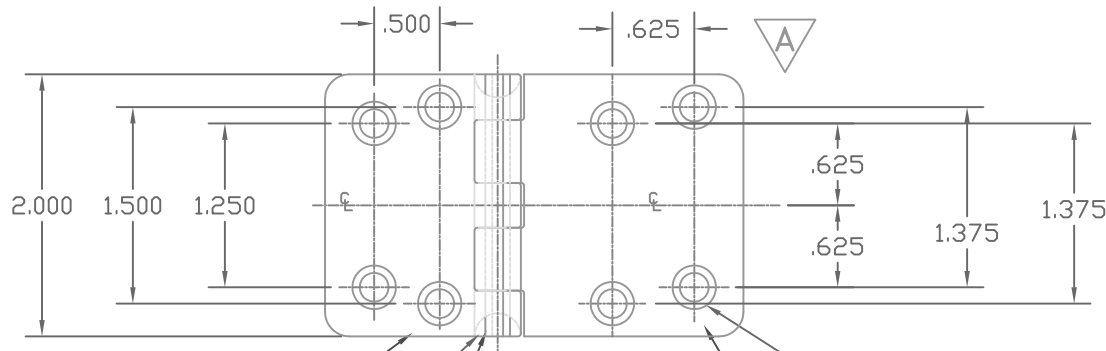
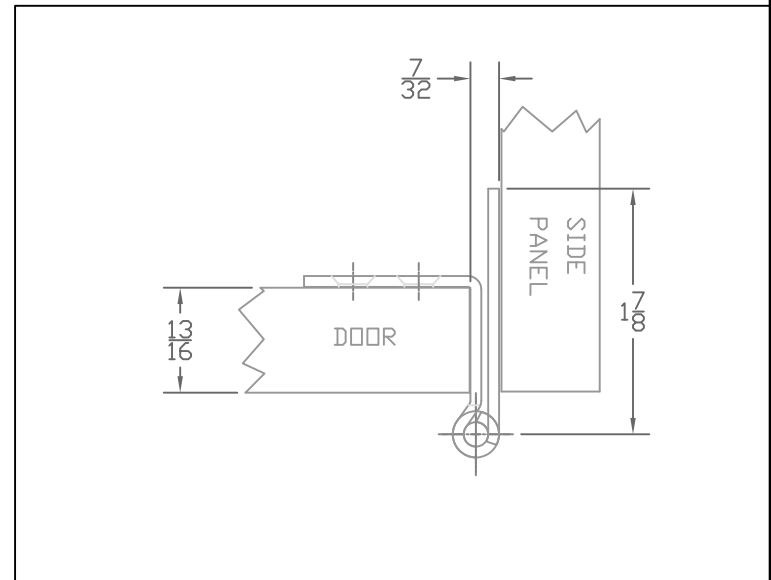
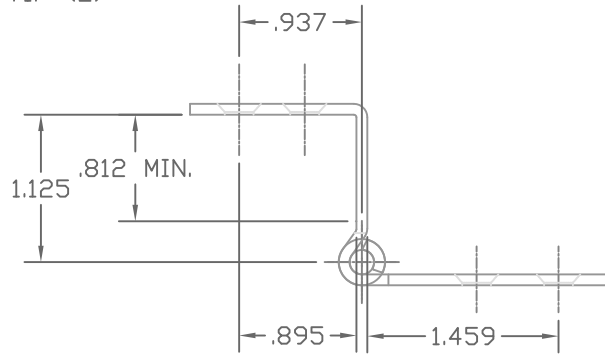


ITEM	QTY	BILL OF MATERIAL
1	1	WING, 2-PRONG
2	1	WING, 3-PRONG
3	1	PIN, KNURLED



1 HOSPITAL TIP (2)
 2 C-SINK FOR #8 FLATHEAD SCREW OR 5MM EURO SCREW (8)
 3



APPLICATION DRAWING

CUSTOMER P/N (IF APPLICABLE) _____ REV. _____

THIS PRINT IS THE PROPERTY OF RPC AND ITS DUPLICATION, RETENTION OR TRANSMITTAL TO OTHERS IS PROHIBITED WITHOUT PRIOR CONSENT.

RPC Rockford Process Control, Inc.

ECR#	REV.	DESCRIPTION	BY	DATE
	A	CORRECTED 2 PRONG HOLE PATTERN	CWW	12/20/11

MATERIAL	SEE B.O.M.
FILENAME	8581APP
CHKD BY DATE	MAB 4/15/05
DRAWN BY	MAB

SCALE (SIZE)	1:1.5	SHT NO.	1	OF	1
PART DESCRIPTION	HINGE, FLUSH				
PART NUMBER	8581-APP	REV.	A		