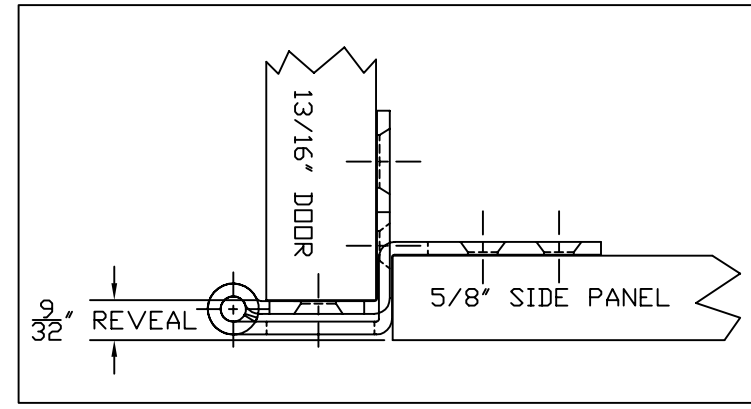
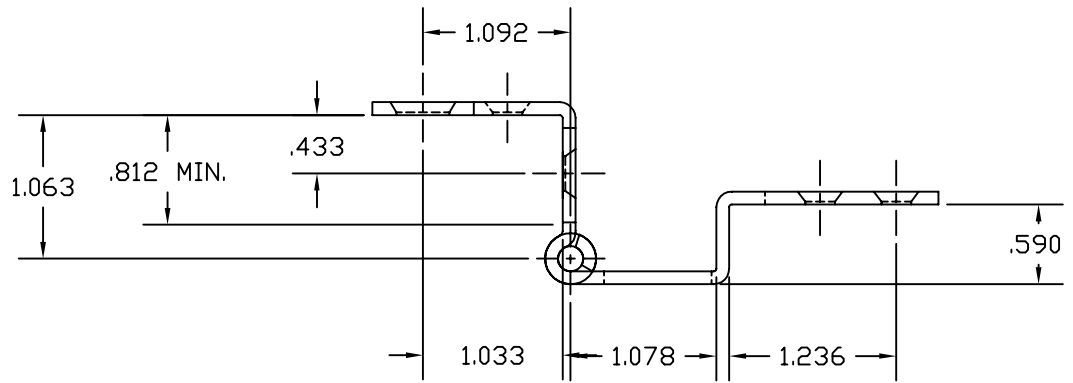
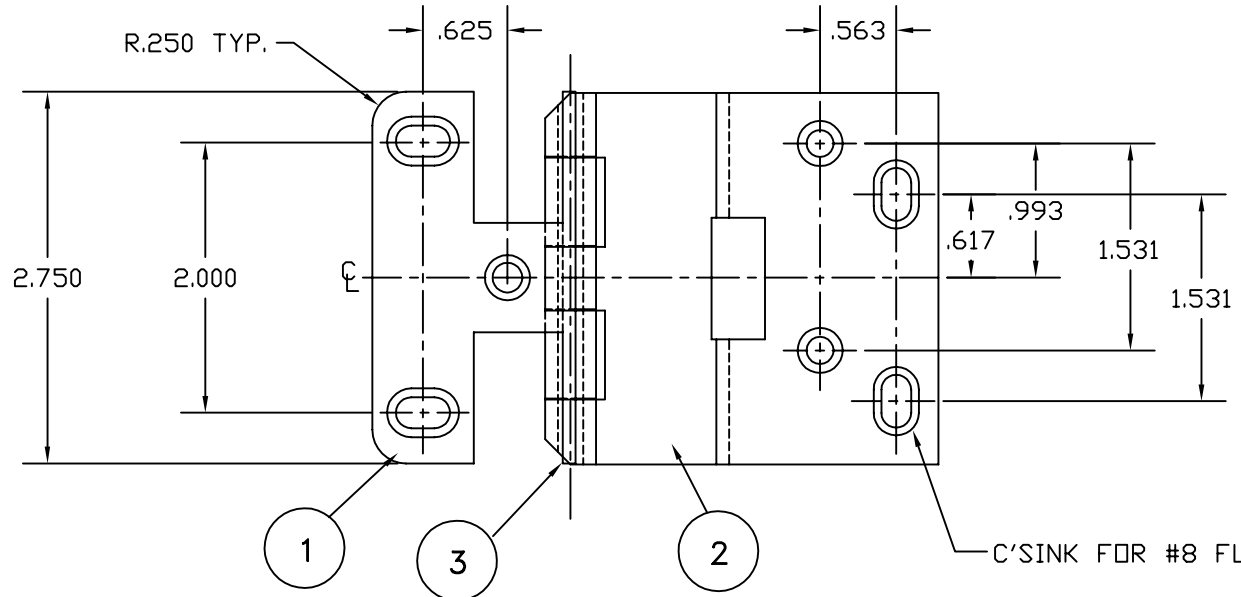


ITEM	QTY	BILL OF MATERIAL
1	1	WING, 2-PRONG
2	1	WING, 3-PRONG
3	1	PIN, KNURLED



APPLICATION DRAWING

CUSTOMER P/N (IF APPLICABLE)	REV.
------------------------------	------

THIS PRINT IS THE PROPERTY OF RPC AND ITS DUPLICATION, RETENTION OR TRANSMITTAL TO OTHERS IS PROHIBITED WITHOUT PRIOR CONSENT.



ECR#	REV.	DESCRIPTION	BY	DATE

MATERIAL SEE B.O.M.	SCALE (SIZE) 1:1.5	SHT NO. 1 OF 1
FILENAME 853APP	MAT'L WT (LBS/EA)	PART DESCRIPTION HINGE, OVERLAY 5/8" x 13/16"
DRAWN BY MAB	DATE 3/21/05	PART NUMBER 853-APP
		REV.