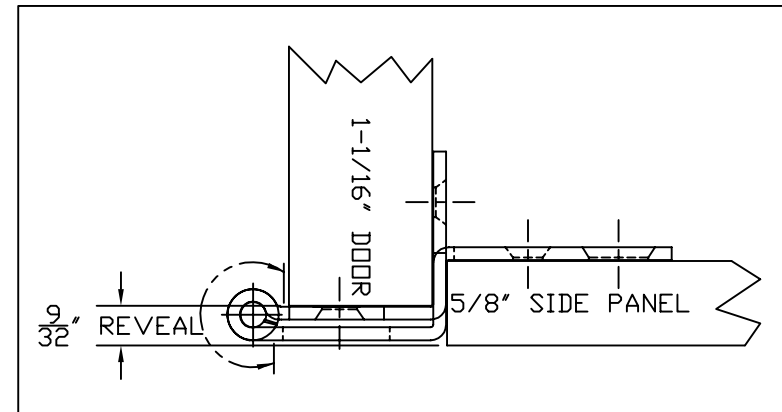
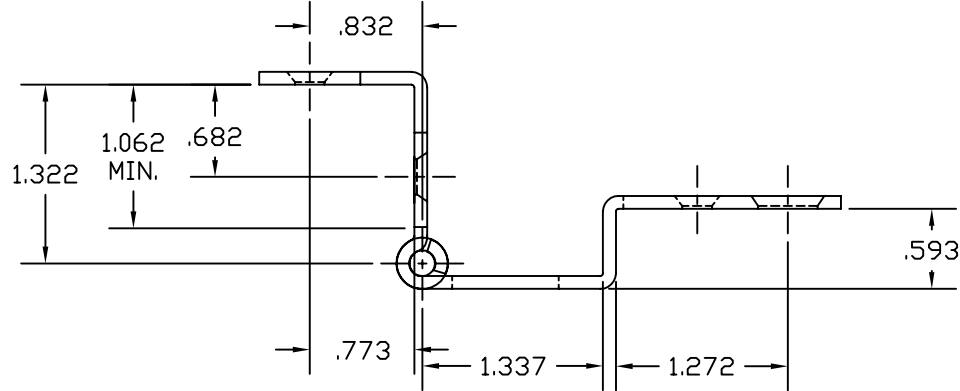
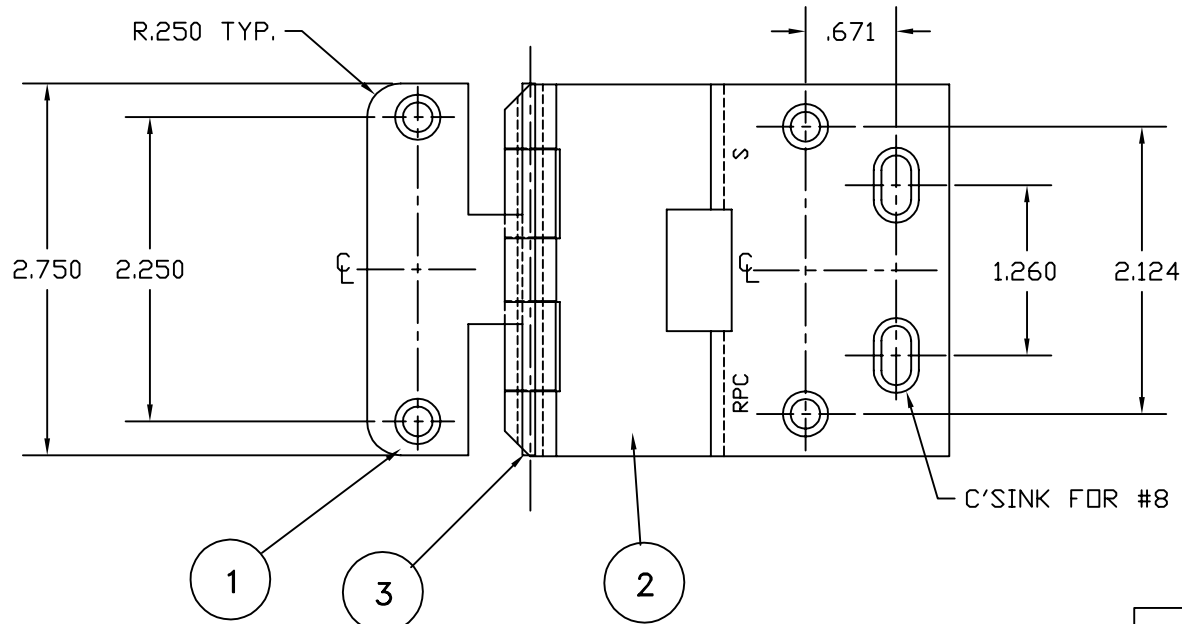


ITEM	QTY	BILL OF MATERIAL
1	1	WING, 2-PRONG
2	1	WING, 3-PRONG
3	1	PIN, KNURLED



## APPLICATION DRAWING

CUSTOMER P/N (IF APPLICABLE) \_\_\_\_\_ REV. \_\_\_\_\_

THIS PRINT IS THE PROPERTY OF RPC AND ITS DUPLICATION, RETENTION OR TRANSMITTAL TO OTHERS IS PROHIBITED WITHOUT PRIOR CONSENT.



ECR#	REV.	DESCRIPTION	BY	DATE

MATERIAL	SEE B.O.M.	SCALE (SIZE)	1:10	SHT NO.	1	OF	1
FILENAME	844APP	MAT'L WT (LBS/EA)		PART DESCRIPTION	HINGE, OVERLAY 5/8" x 1-1/16"		
DRAWN BY	MAB	DATE	3-29-05	PART NUMBER	844-APP	REV.	