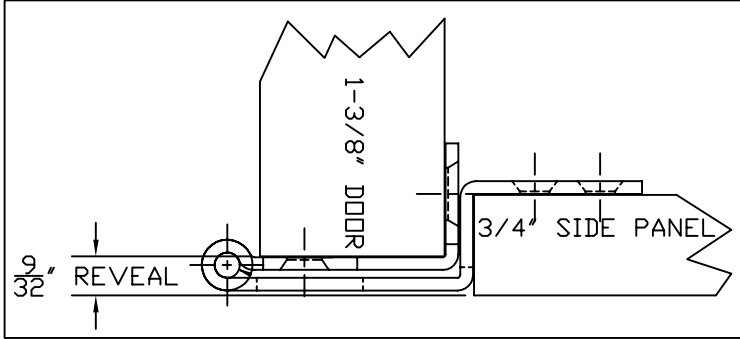
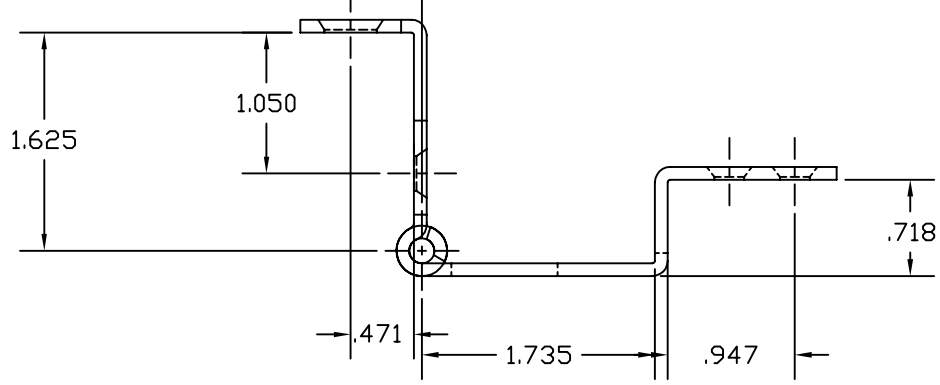
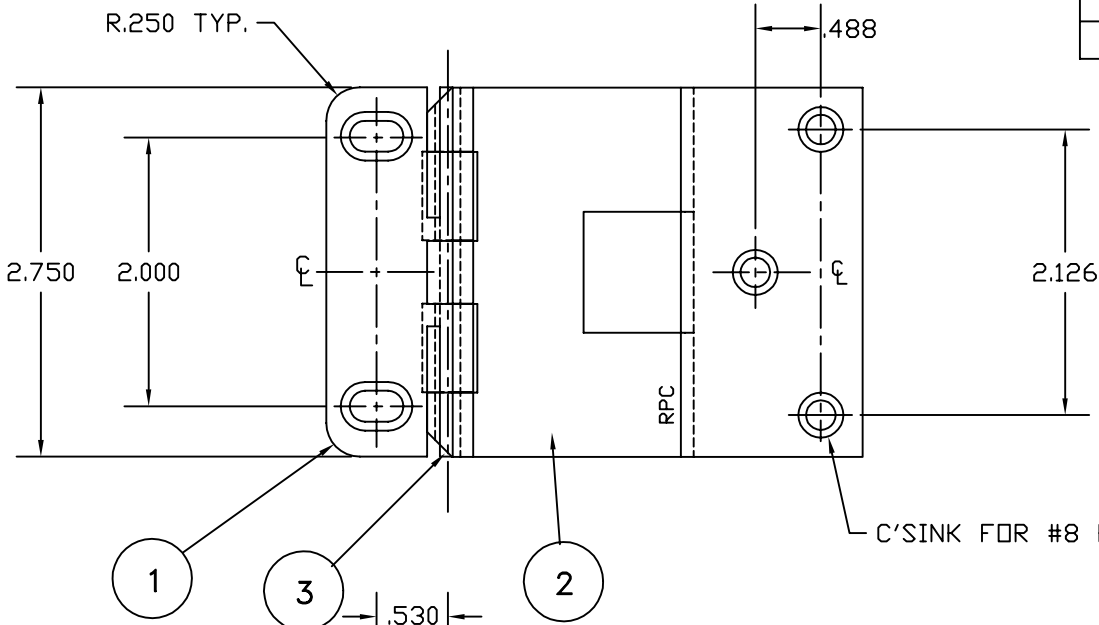


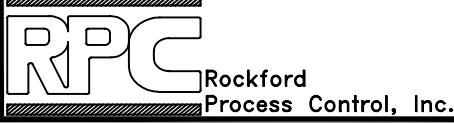
ITEM	QTY	BILL OF MATERIAL
1	1	WING,2-PRONG
2	1	WING,3-PRONG
3	1	PIN,KNURLED



APPLICATION DRAWING

CUSTOMER P/N (IF APPLICABLE) _____ REV. _____

THIS PRINT IS THE PROPERTY OF RPC AND ITS DUPLICATION, RETENTION OR TRANSMITTAL TO OTHERS IS PROHIBITED WITHOUT PRIOR CONSENT.



ECR#	REV.	DESCRIPTION	BY	DATE

MATERIAL SEE B.O.M.	SCALE (SIZE) 1:1.5	SHT NO. 1	OF 1
FILENAME 7036APP	MAT'L WT (LBS/EA)	PART DESCRIPTION HINGE, OVERLAY 3/4" x 1-3/8"	
DRAWN BY MAB	DATE 3/29/05	PART NUMBER 7036-APP	REV.