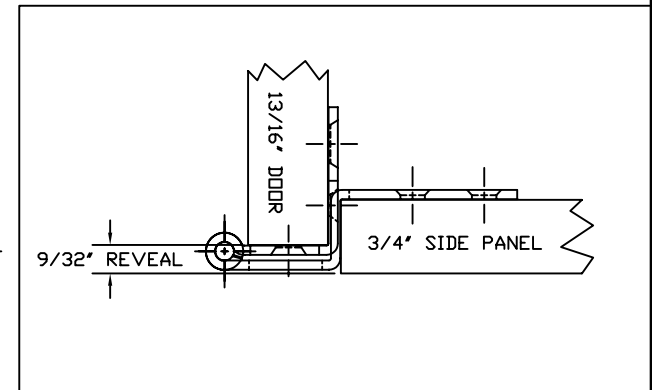
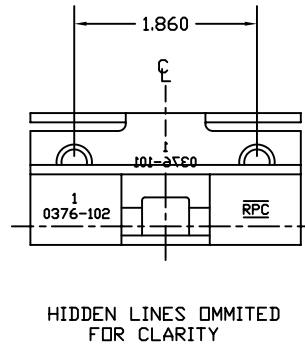
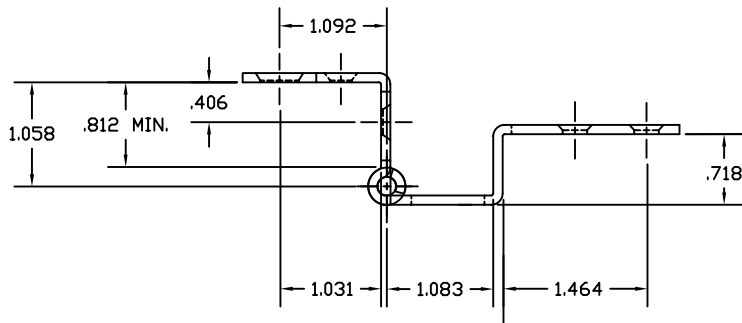
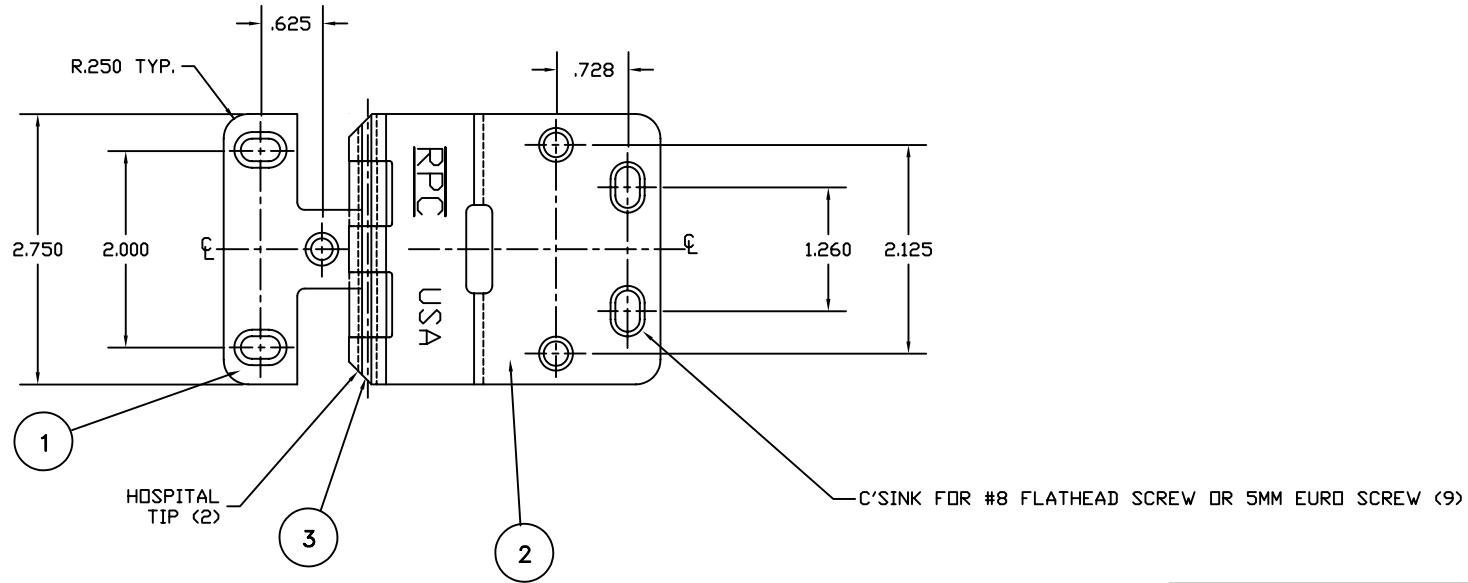


PART NUMBER
376-APP REV.

ITEM	QTY	BILL OF MATERIAL
1	1	WING,2-PRONG
2	1	WING,3-PRONG
3	1	PIN,KNURLED



APPLICATION DRAWING

CUSTOMER P/N (IF APPLICABLE) REV.

THIS PRINT IS THE PROPERTY OF RPC AND ITS DUPLICATION, RETENTION OR TRANSMITTAL TO OTHERS IS PROHIBITED WITHOUT PRIOR CONSENT.

RPC Rockford Process Control, Inc.

ECR#	REV.	DESCRIPTION	BY	DATE

MATERIAL	SEE B.O.M.	SCALE (SIZE)	1:2	SHT NO.	1	OF	1
FILENAME	376APP	MAT'L WT (LBS/EA)	PART DESCRIPTION HINGE, OVERLAY 3/4" X 13/16"				
DRAWN BY	MAB	DATE	3/15/05	PART NUMBER	376-APP		
				REV.			