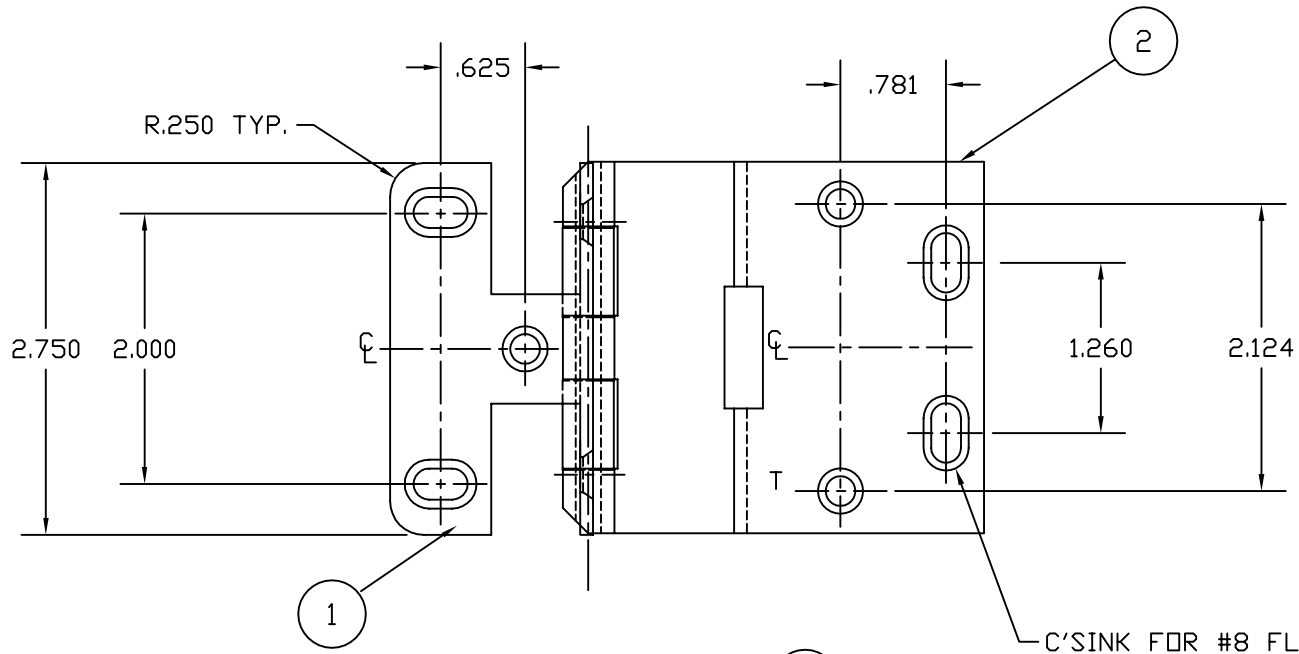
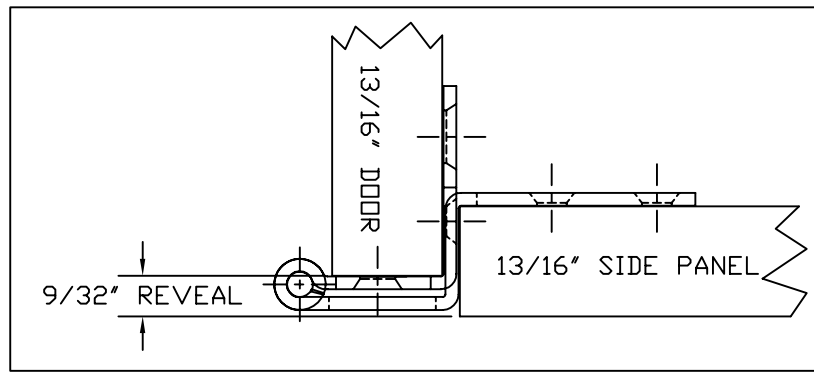
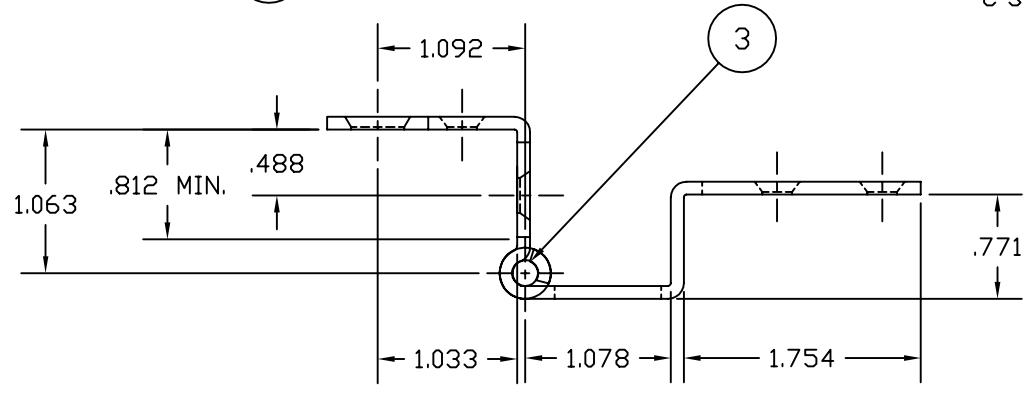


ITEM	QTY	BILL OF MATERIAL
1	1	WING, 2-PRONG
2	1	WING, 3-PRONG
3	1	PIN, KNURLED



C'SINK FOR #8 FLATHEAD SCREW OR 5MM EURO SCREW (9)



APPLICATION DRAWING

CUSTOMER P/N (IF APPLICABLE)	REV.
------------------------------	------

THIS PRINT IS THE PROPERTY OF RPC AND ITS DUPLICATION, RETENTION OR TRANSMITTAL TO OTHERS IS PROHIBITED WITHOUT PRIOR CONSENT.



ECR#	REV.	DESCRIPTION	BY	DATE

MATERIAL	SEE B.O.M.
FILENAME	375APP
DRAWN BY	MAB
DATE	3/15/05

SCALE (SIZE)	1:1.5	SHT NO.	1	OF	1
PART DESCRIPTION	HINGE, OVERLAY 13/16" x 13/16"				
PART NUMBER	375-APP				REV.