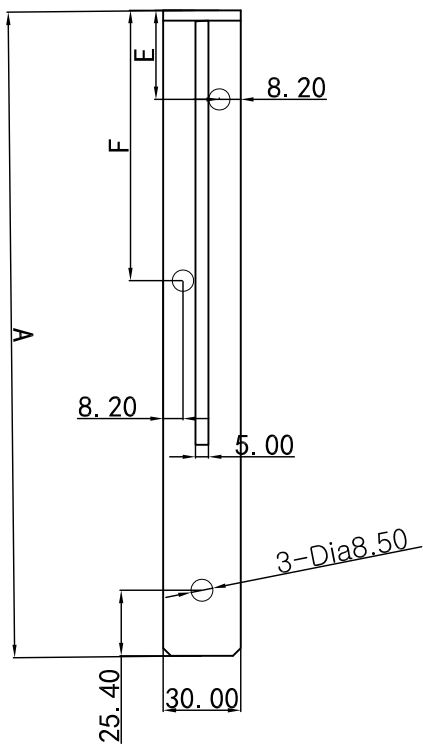
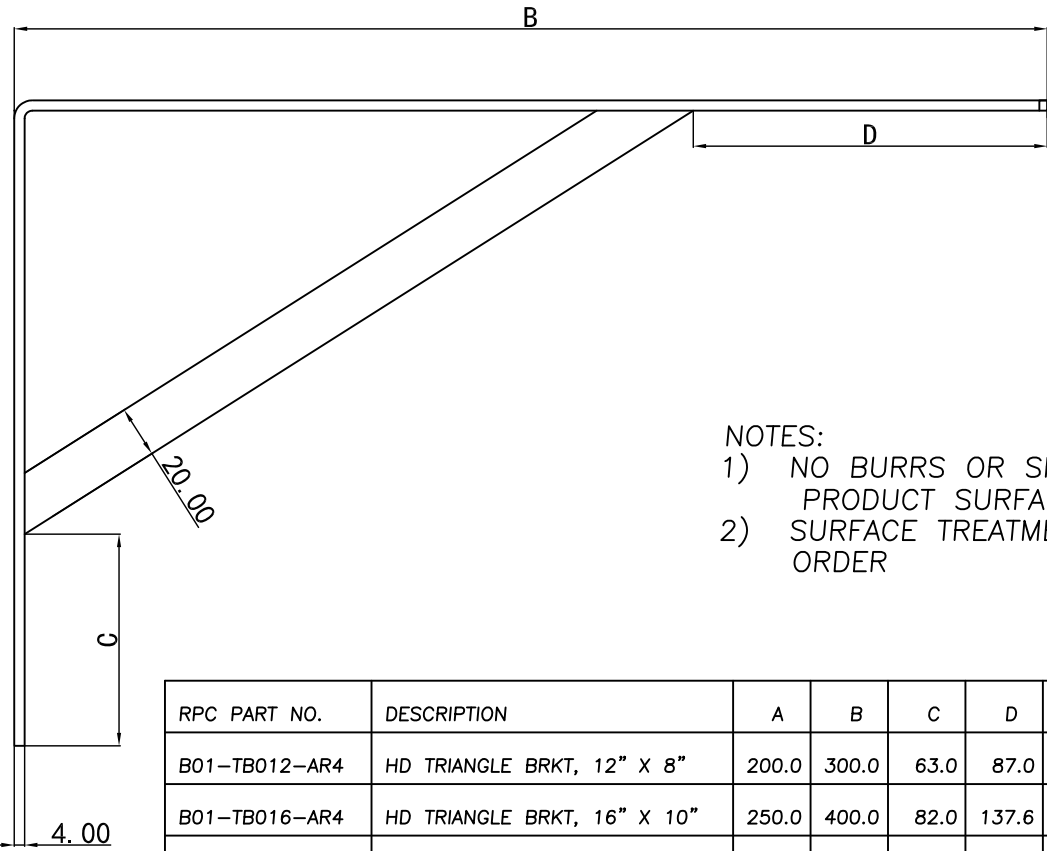
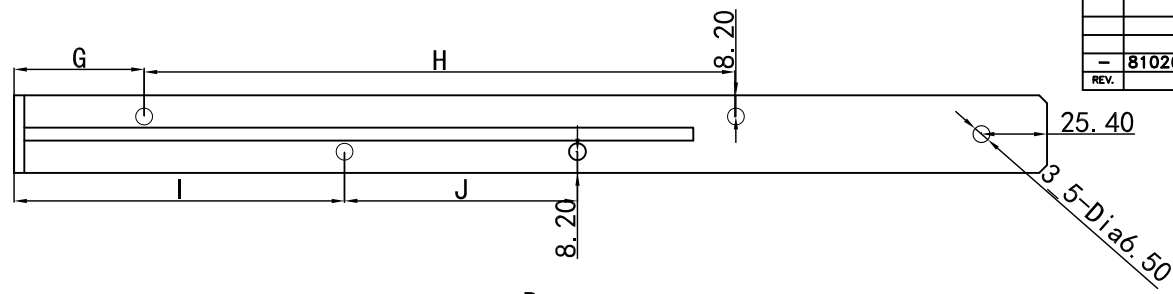


|      |                          |     |          |
|------|--------------------------|-----|----------|
| REV. | DESCRIPTION              | BY  | DATE     |
| -    | 8102601; INITIAL RELEASE | CWW | 10/26/18 |



- NOTES:  
 1) NO BURRS OR SHARP EDGES ON PRODUCT SURFACE  
 2) SURFACE TREATMENT: POWDER COAT PER ORDER

| RPC PART NO.  | DESCRIPTION                 | A     | B     | C     | D     | E    | F     | G    | H     | I     | H     |
|---------------|-----------------------------|-------|-------|-------|-------|------|-------|------|-------|-------|-------|
| B01-TB012-AR4 | HD TRIANGLE BRKT, 12" X 8"  | 200.0 | 300.0 | 63.0  | 87.0  | 28.0 | 93.0  | 43.0 | -     | 133.0 | -     |
| B01-TB016-AR4 | HD TRIANGLE BRKT, 16" X 10" | 250.0 | 400.0 | 82.0  | 137.6 | 34.0 | 109.0 | 54.0 | 220.0 | 127.5 | -     |
| B01-TB020-AR4 | HD TRIANGLE BRKT, 20" X 13" | 330.0 | 500.0 | 112.0 | 160.0 | 22.0 | 61.2  | 47.7 | 190.0 | 133.0 | 230.0 |
| B01-TB022-AR4 | HD TRIANGLE BRKT, 22" X 14" | 361.0 | 545.0 | 63.7  | 100.0 | 22.7 | 66.2  | 55.2 | -     | 153.5 | -     |

|             |     |              |           |
|-------------|-----|--------------|-----------|
| PIN MAT'L:  | N/A | STRIP WIDTH: | N/A       |
| PIN DIA:    | N/A | HOLE DIA:    | SPECIFIED |
| LEAF MAT'L: | N/A | KNUCKLE:     | N/A       |
| LEAF THK:   | N/A | DIE SEC:     | N/A       |

|                        |          |
|------------------------|----------|
| INITIAL                | DATE     |
| DRN: CWW               | 10/08/18 |
| CHK:                   |          |
| UNSPECIFIED TOLERANCES |          |
| ANGLE ±1°              | FRACTION |
| DECIMAL INCH           | MM       |
| .X                     | ±0.5     |
| .XX                    | ±0.3     |
| .XXX                   | ±0.13    |
| .XXXX                  |          |

|                    |                    |
|--------------------|--------------------|
| CUST:              |                    |
| CUST P.N.:         |                    |
| SCALE:             | FULL INCH          |
| REF:               | TH15404            |
| UNSPEC'D MATERIAL: | Q235 CRS 4mm & 5mm |
| UNSPEC'D FINISH:   | AS REQUIRED        |

**RPC** ROCKFORD PROCESS CONTROL, LLC.  
 2020 7TH STREET ROCKFORD, IL.  
 PH: (815) 966-2000; WWW.ROCKFORDPROCESS.COM

CONFIDENTIAL PROPRIETARY INFORMATION  
 This drawing is the property of ROCKFORD PROCESS CONTROL, LLC. and is loaned only upon the condition that it is not to be copied or reproduced nor to be used for furnishing information to others for any purpose detrimental to the interest of ROCKFORD PROCESS CONTROL, LLC..

|              |                      |        |
|--------------|----------------------|--------|
| DESCRIPTION: | HD TRIANGLE BRACKETS |        |
| PART NO.:    | SEE CHART            |        |
| SHEET        | 1 OF                 | REV. - |