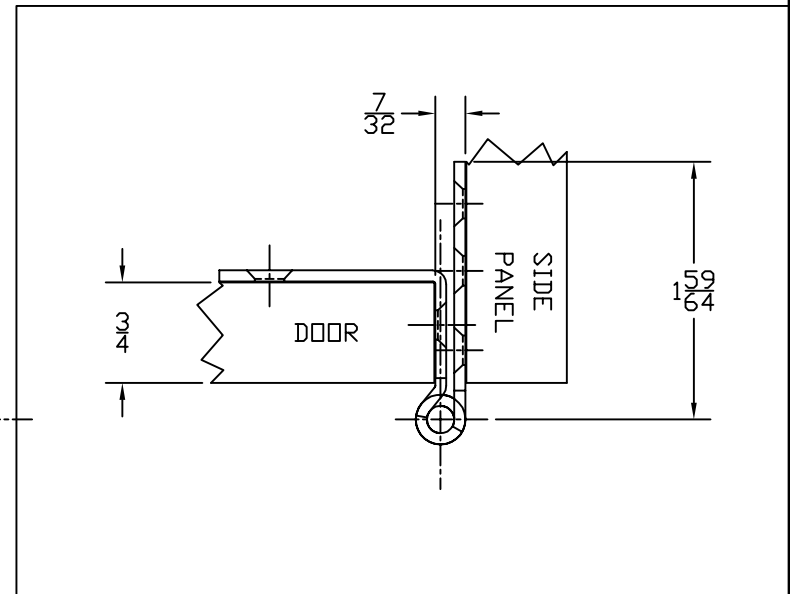
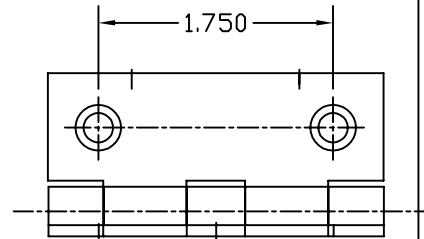
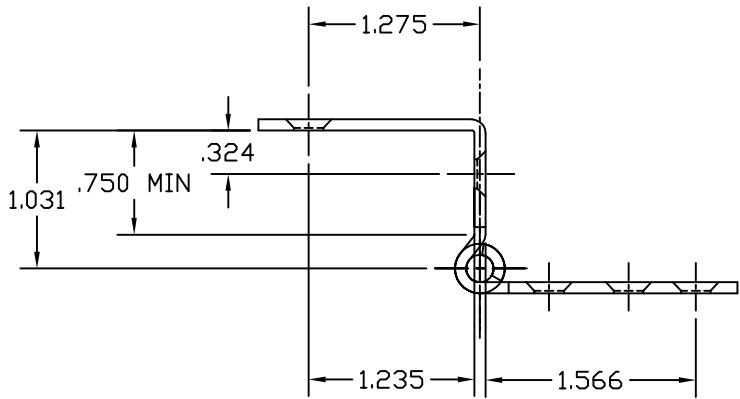


ITEM	QTY	BILL OF MATERIAL
1	1	WING, 2-PRONG
2	1	WING, 3-PRONG
3	1	PIN, KNURLED



APPLICATION DRAWING

CUSTOMER P/N (IF APPLICABLE) _____ REV. _____

THIS PRINT IS THE PROPERTY OF RPC AND ITS DUPLICATION, RETENTION OR TRANSMITTAL TO OTHERS IS PROHIBITED WITHOUT PRIOR CONSENT.

RPC Rockford Process Control, Inc.

ECR#	REV.	DESCRIPTION	BY	DATE

MATERIAL SEE B.O.M.	SCALE (SIZE) 1:1.5	SHT NO. 1	OF 1
FILENAME 860APP	CHKD BY DATE	PART DESCRIPTION HINGE, FLUSH	
DRAWN BY MAB	DATE 4/15/05	PART NUMBER 860-APP	REV.